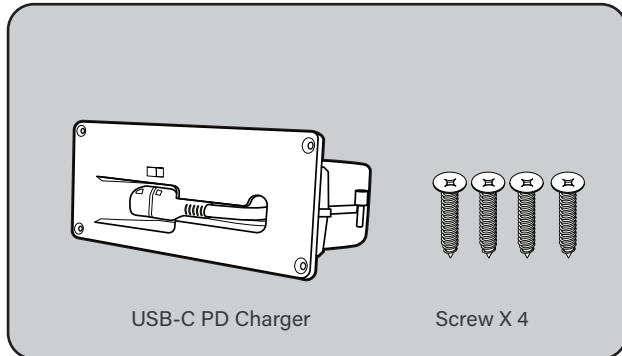


AquaAmp

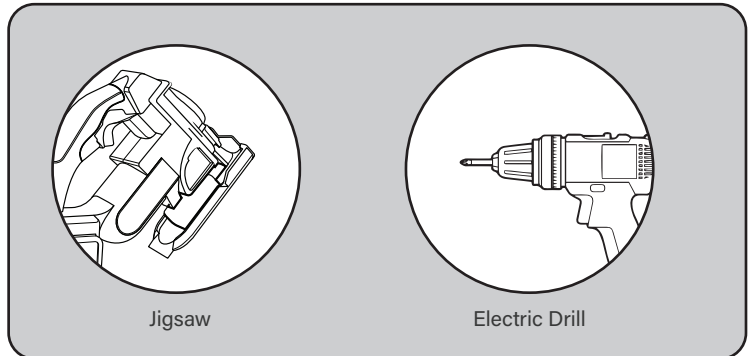
INSTALLATION INSTRUCTIONS

HEAVY-DUTY RETRACTABLE USB-C PD CHARGER

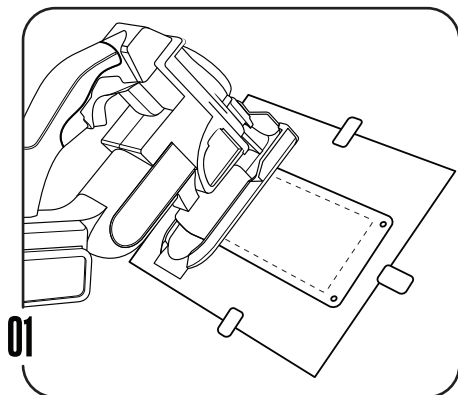
PARTS PROVIDED



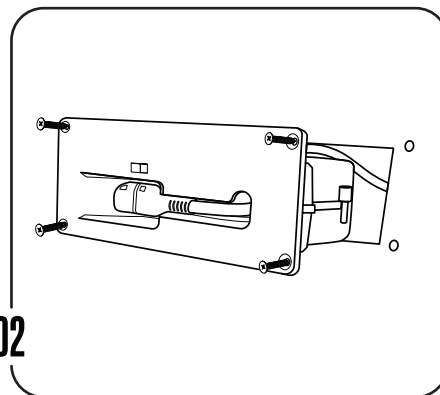
TOOLS REQUIRED



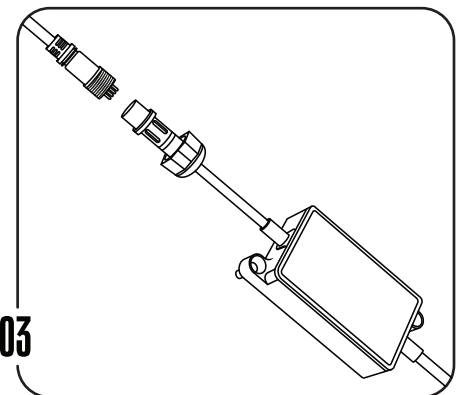
INSTALLATION GUIDE



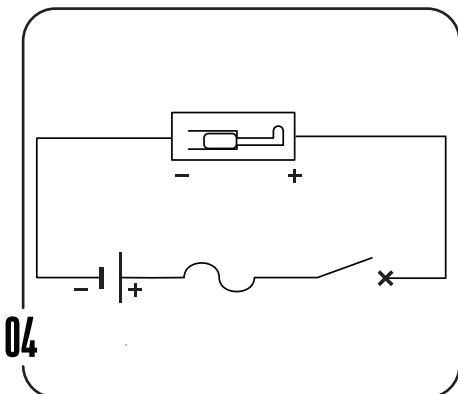
STEP 1: Use installation template to drill 4x pilot holes and cut cable hole.



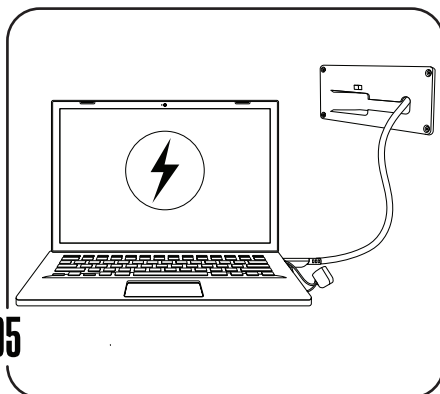
STEP 2: Feed cable through the hole and use provided screws to secure charger to surface.



STEP 3: Attach Inline PD controller.



STEP 4: Using an appropriately sized fuse, attach wires to a 12v power supply and ensure there is a waterproof connection.



STEP 5: Check that the USB-C PD device is charging a few seconds after being plugged in.

CONTACT:

orders@aquamp.com
13926 Monroes Business Park, Tampa, FL 33635

For further information visit www.aquamp.com